



PKX SOLENOID DOSING PUMPS

The PKX Series dosing pumps are a perfect solution for small dosing applications.

The PKX range is suitable for dosing systems that require low flow rates (up to 10L/Hr) with manual control and an arrange of pumps head.

TECHNICAL FEATURES

Flow Rate:	From 1 to 10 L/H
Maximum Pressure:	5 Bar
Power Supply:	240v standard; 12vdc, 24vdc
Stroke Rate:	120 impulses/minute maximum
Pump Head:	PP or PVDF with lip or ceramic ball valves; Auto-bleed or hi-viscous options available
Diaphragm:	PTFE
Mounting Options:	Supplied with bracket suitable for foot or wall mounting
Installation Kit:	PP or PVDF Injection Valve, Foot Filter, 2m each of suction/ discharge tubing, screws & plugs for wall mounting

PKX MODELS

MA/A	Analogue manual dosing (0 - 100%); Optional level alarm; Available with removable power cable
------	---



PKX SOLENOID DOSING PUMPS

PUMP TECHNICAL DETAILS*

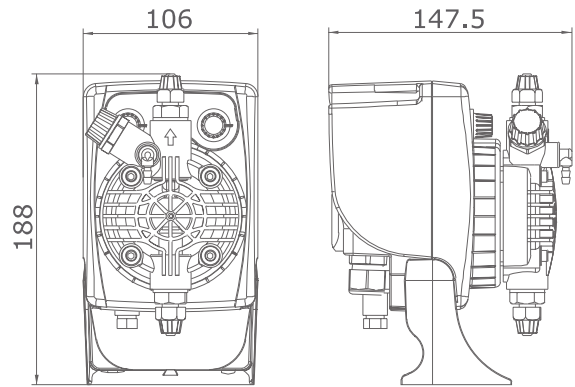
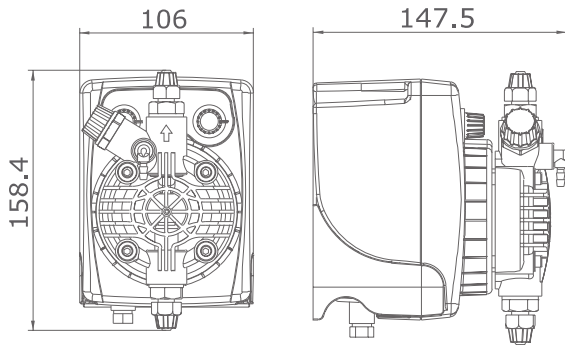
Model	Flow rate (L/H)	Max pressure (Bar)	Injection volume (ml)	Max injection frequency (imp/minute)	Tubing (IDxOD mm)	Power supply
1-5	1	5	0.14	120	4x6	240v, 50Hz
2-6	2	6	0.28	120	4x6	240v, 50Hz
5-5	5	5	0.69	120	4x6	240v, 50Hz
7-2	7	2	0.97	120	4x6	230v, 50Hz
10-1	10	1	1.39	120	4x6	240v, 50Hz

*The figures above are based on dosing water at 20°C

DIMENSIONS

Wall mount configuration

Foot mount configuration



All dimensions are in mm

PKX FLOW RATE / PRESSURE CHARTS

