



F, B & BH Pumps

PERISTALTIC PUMPS

Etatron Peristaltic Pumps are designed for use with Dosing Systems with low flow rates and pressure. These pumps operate on the suction-compression created by rotors on a Silicone or Santoprene® tube, commonly used for simple dosing application, water treatment and laundry systems. Lightweight, and compact Etatron's Peristaltic Pumps are suitable for a wide range of systems. Perfect for swimming pools and washing systems.

PRODUCT INFO

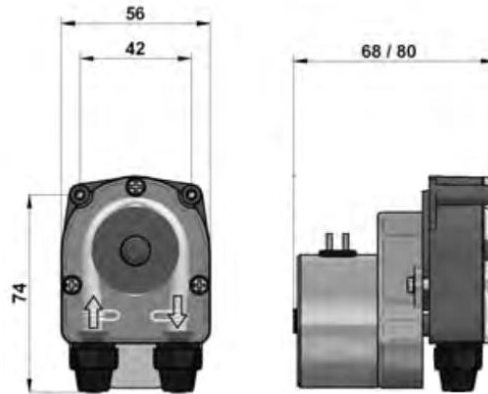
- Flow Rates adjustable:
 - F Series up to 6 l/hr
 - B Series up to 12 l/hr
 - BH up to 100 l/hr
- Maximum operating pressures of up to 3 Bar
- Variable power supplies from 90 - 260v as standard
- Optional power supplies include 12Vdc, 24Vdc or 24Vac
- Peristaltic tubing available in Santoprene®, Silicone, Norprene® or Tygon
- Supplied with wall mounting bracket for ease of maintenance
- Supplied with accessory kit as standard (PP Injection Valve, Foot Filter, 2m each of suction/discharge tubing)
- Optional Brightener & Detergent Kits: SS Foot Filter, Nickel plated brass/FPM Injection Valve or PP/EPDM Injection Valve with 90° hose nipple
- The compact peristaltic pump is designed for intermittent dosing; Pump dosing over several minutes and cycles on multiple occasions throughout a standard business day. Continuous use is not recommended



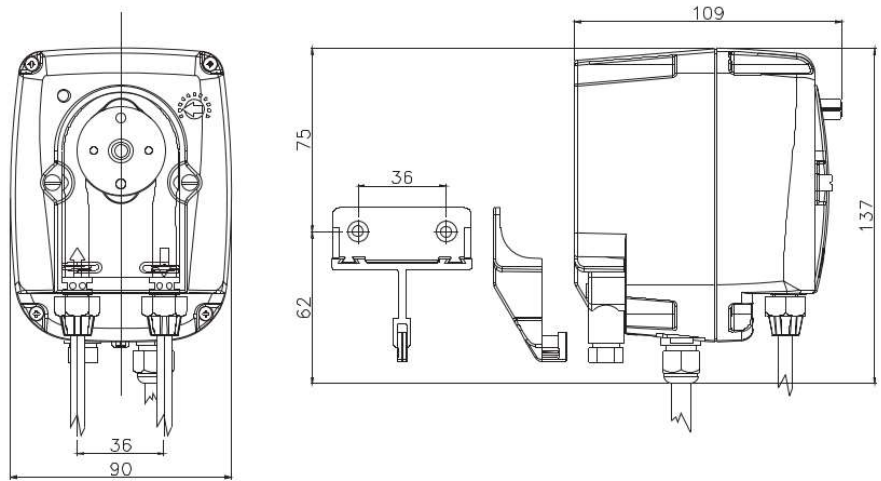
F, B & BH PUMPS

DIMENSIONS

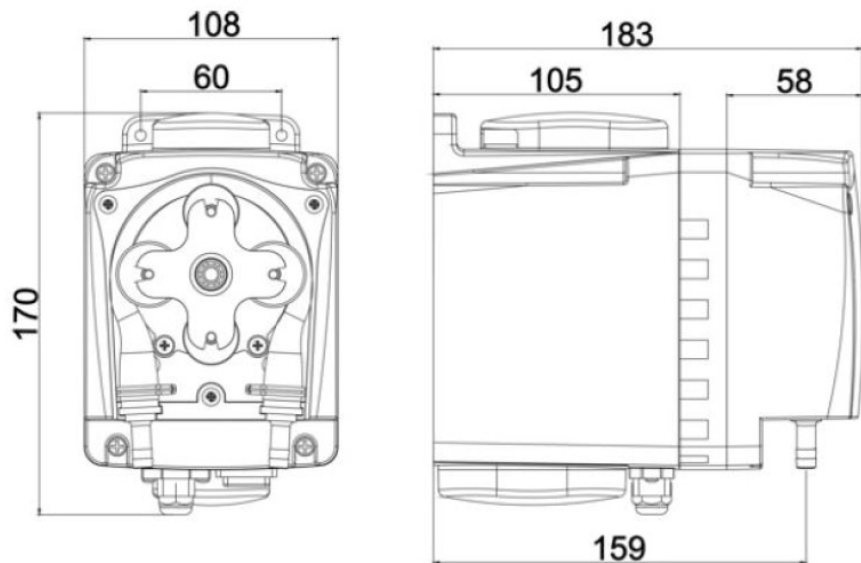
F Series Dimensions



B Series Dimensions



BH Series Dimensions



*All dimensions are in mm