



## eTWIN MODELS: PERISTALTIC AND ELECTROMAGNETIC

---

The eTwin is a compact, easy-to-use equipment consisting of two dosing pumps and a two parameters controller capable of measuring the chemical values of a swimming pool's water, such as pH, oxidation-reduction potential (mV) or the Chlorine concentration in PPM.

These parameters can be adjusted by dosing appropriate additives through the pumps that complete the eTwin. The materials of which eTwin is made are suitable for the dosage of the most common products used in the pool industry.

The dosing pumps can be peristaltic or electromagnetic type, depending on the versions.

### COMMON SPECIFICATIONS OF ALL VERSIONS

- Polypropylene chassis resistant to chemical compounds
- Inputs for level probe, flow sensor and PT100
- Standard 230Vac 50Hz single-phase power supply
- pH priority function
- External BNC connectors for connecting the probes, pH, Rx. CL & Temperature
- 3 configurable relay outputs and 1 relay output dedicated to alarm signals
- Fully programmable 4-20mA output
- Programmable relay outputs

Electromagnetic Version PDE



Peristaltic Version PDP



## ETWIN MODELS: PERISTALTIC AND ELECTROMAGNETIC

### ELECTROMAGNETIC VERSION TECHNICAL SPECIFICATIONS

Type	MAX flow [l/h]	MAX Pressure [bar]	Weight [Kg]	Dimensions [mm]			Power [W]	Injections [imp/1']	Hose [ODxID] [mm]
				Height	Wide	Dept			
ETwin	2	6	3.5	270	235	148	30	120	4 x 6
PDE	5	5	3.5	270	235	148	30	120	4 x 6

#### Wet materials for electromagnetic version

Pump head: PVDF, O-Ring: Viton®, Valves: Ceramic , Foot filter: Standard - Polypropylene  
Injection valve: Standard - Polypropylene, Suction hose: PVC, Discharge hose: Polyethylene

### PERISTALTIC VERSION TECHNICAL SPECIFICATIONS

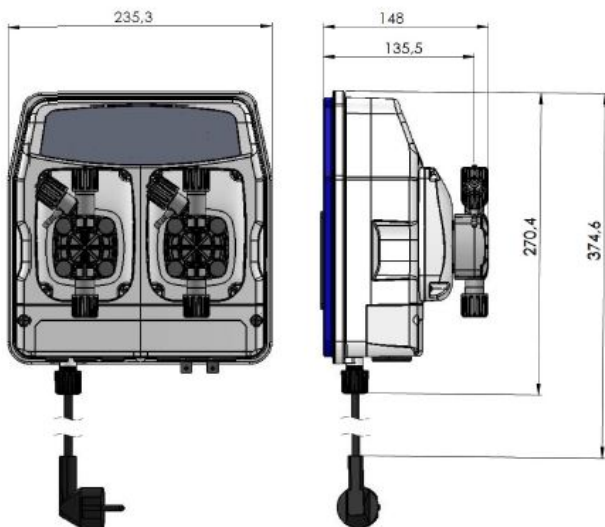
Type	MAX flow [l/h]	MAX Pressure [bar]	Weight [Kg]	Dimensions [mm]			Power [W]	Injections [imp/1']	Hose [ODxID] [mm]
				Height	Wide	Dept			
ETwin	1.5	1.5	1.5	270	235	140	15	20	4 x 7
PDE	3	1.5	1.5	270	235	140	270	40	4 x 7

#### Wet materials for electromagnetic version

Internal hose: Santoprene®, Foot filter: Standard - Polypropylene , Valvola iniezione: Standard - Polypropylene,  
Suction hose: PVC, Discharge hose: Polyethylene

## DIMENSIONS

#### Electromagnetic



#### Peristaltic

